

## SPI/QPI PSRAM

---

### Specifications

- **Single Supply Voltage**
  - VDD=1.62 to 1.98V
- **Interface:** SPI/QPI with SDR mode
- **Performance:** Clock rate up to 144MHz
- **Organization:** 64Mb, 8M x 8bits
- **Addressable Bit Range:** A[22:0]
- **Page Size:** 1024 bytes
- **Refresh:** Self-managed
- **Operating Temperature Range**
  - T<sub>OPER</sub> = -40°C to +85°C (standard range)
  - T<sub>OPER</sub> = -40°C to +105°C (extended range)
- **Maximum Standby Current**
  - 300μA @ 105°C
  - 200μA @ 85°C
- **Typical Standby Current**
  - 66μA @ 25°C

### Features

- **50Ω Output Drive Strength LVC MOS**
- **1K Bytes Wrapped Burst** or **32 Bytes Wrapped Burst** via Wrap Boundary toggle command.
- **1K byte Wrapped Burst** as long as tCEM is met
- **Software Reset**

## Table of Contents

### 1 Table of Contents

1	Table of Contents.....	2
2	Introduction .....	4
3	Package Information .....	4
3.1	Package Types : SOP / USON (SN, ZR).....	4
4	Package Outline Drawing.....	5
4.1	SOP-8L(150), package code SN .....	5
4.2	USON-8L 3x2mm, package code ZR.....	6
5	Ordering Information.....	7
6	Signal Table .....	8
7	Block Diagram .....	9
8	Power-Up Initialization .....	10
9	Interface Description .....	11
9.1	Address Space .....	11
9.2	Page Size .....	11
9.3	Drive Strength.....	11
9.4	Power-on Status.....	11
9.5	Command/Address Latching Truth Table.....	11
9.6	Command Termination.....	12
10	Wrap Boundary Toggle Operation.....	13
11	SPI Mode Operations .....	14
11.1	SPI Read Operations.....	14
11.2	SPI Write Operations.....	16
11.3	SPI Quad Mode Enable Operation .....	17
12	Read ID.....	18
12.1	SPI Read ID Operation.....	18
13	QPI Mode Operations .....	19
13.1	QPI Read Operation .....	19
13.2	QPI Write Operation(s) .....	20

---

13.3	QPI Quad Mode Exit operation.....	20
14	Reset Operation .....	21
15	Input/Output Timing.....	22
16	Electrical Specifications: .....	23
16.1	Absolute Maximum Ratings.....	23
16.2	Input Signal Overshoot .....	23
16.3	Pin Capacitance.....	24
16.4	Decoupling Capacitor Requirement.....	25
16.5	Operating Conditions.....	25
16.6	DC Characteristics .....	26
16.7	AC Characteristics .....	27
17	Change Log.....	28

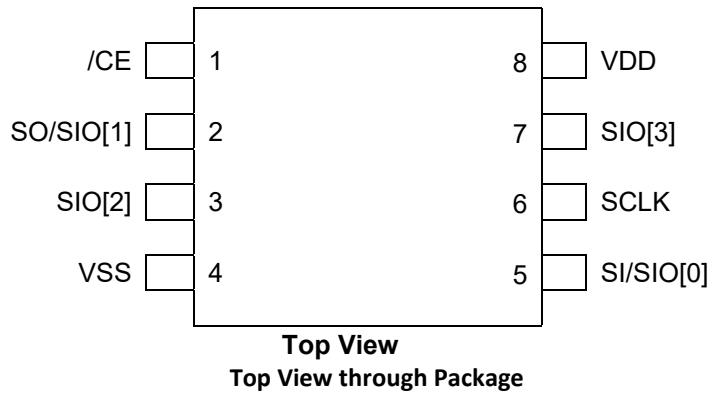
## 2 Introduction

This Pseudo-SRAM device features a high speed, low pin count interface. It has 4 SDR I/O pins and operates in SPI(serial peripheral interface) or QPI (quad peripheral interface) mode with frequencies up to 144 MHz. The data input (A/DQ) to the memory relies on clock (CLK) to latch all instructions, addresses and data. It is most suitable for low-power and low cost portable applications. It incorporates a seamless self-managed refresh mechanism. Hence it does not require the support of DRAM refresh from system host. The self-refresh feature is a special design to maximize performance of memory read operation.

## 3 Package Information

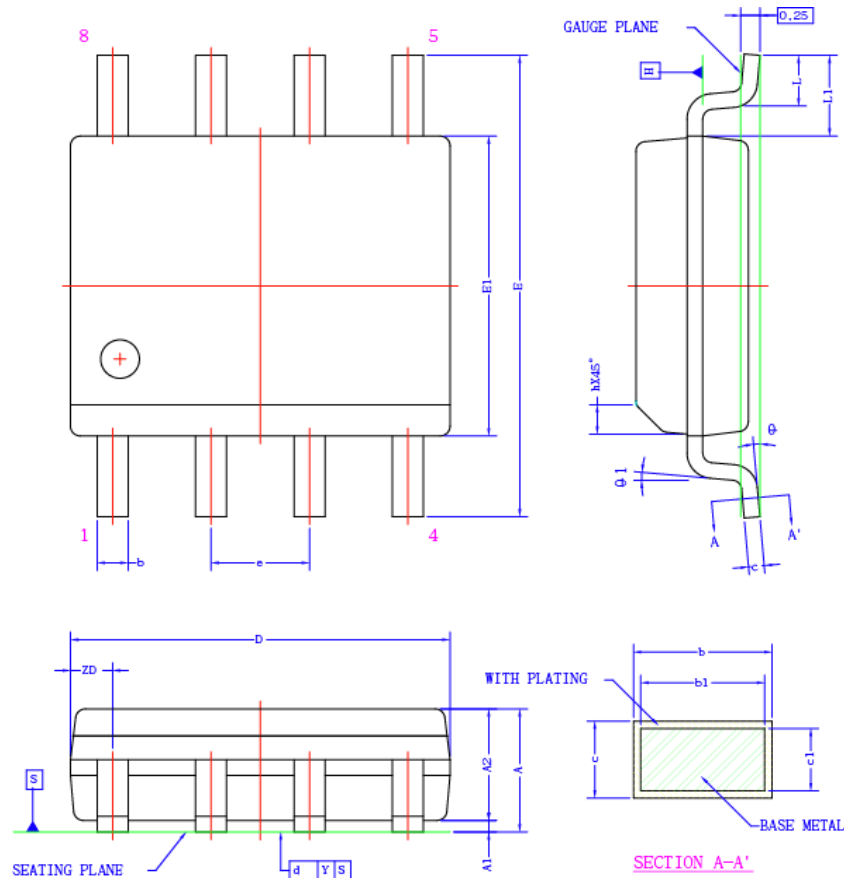
The APS6404L-SQN is available in standard package including 8-lead SOP-8L(150) and advanced package including 8-lead , USON-8L 3x2mm.

### 3.1 Package Types : SOP / USON (SN, ZR)



## 4 Package Outline Drawing

### 4.1 SOP-8L(150), package code SN

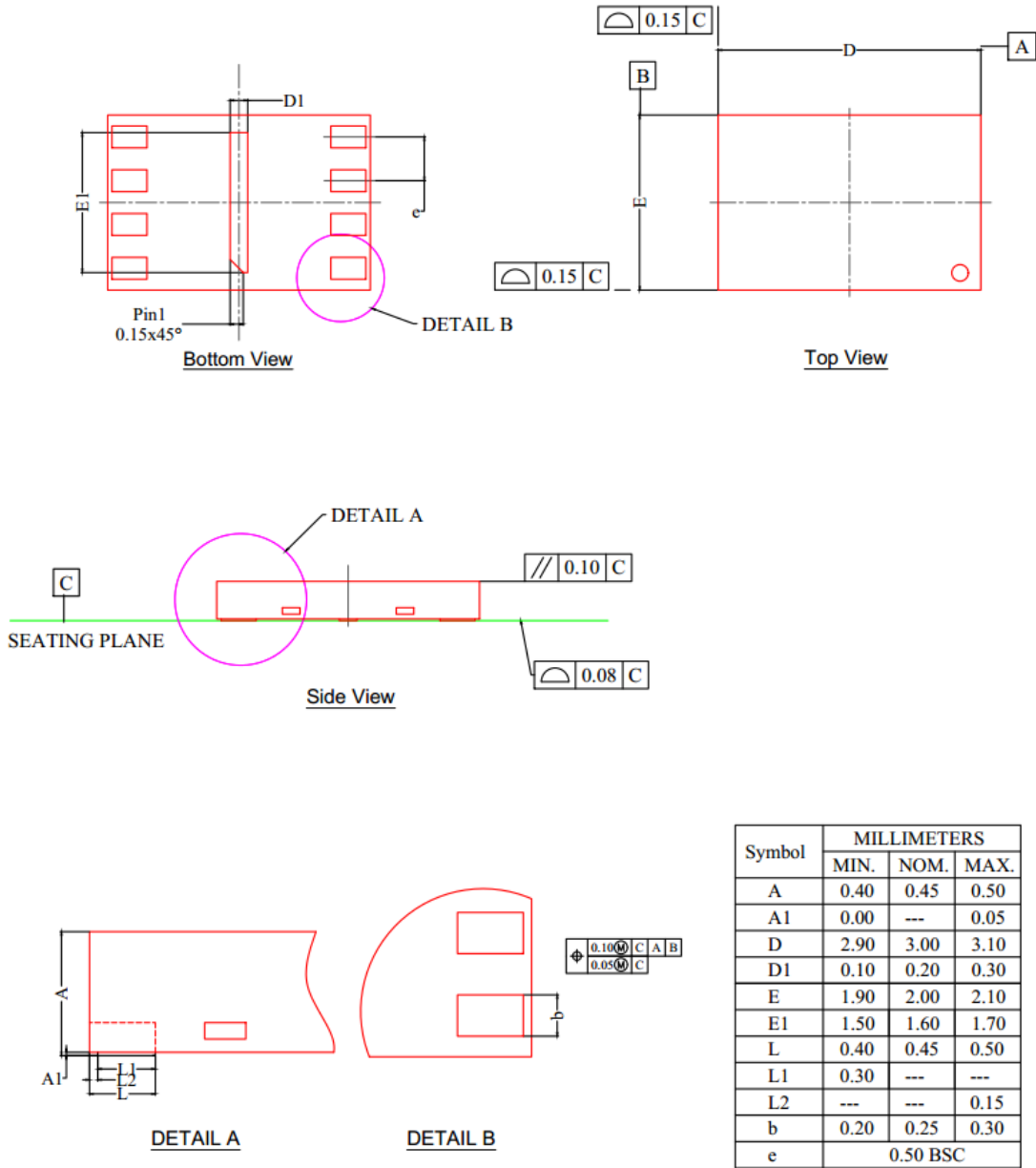


SYMBOL	DIMENSION (MM)			DIMENSION (MIL)		
	MIN.	NOM.	MAX.	MIN.	NOM.	MAX.
A	1,35	1,60	1,75	53	63	69
A1	0,10	0,15	0,25	4	6	10
A2	1,35	1,45	1,55	53	57	61
b	0,31	-	0,51	12	-	20
b1	0,28	0,40	0,48	11	16	19
c	0,17	-	0,25	7	-	10
c1	0,17	0,20	0,23	7	8	9
D	4,80	4,90	5,00	189	193	197
E	6,00 BSC			236 BSC		
E1	3,80	3,90	4,00	150	154	157
e	1,27 BSC			50 BSC		
L	0,40	0,66	1,27	16	26	50
L1	1,05 REF			41 REF		
ZD	0,55 REF			22 REF		
h	0,25	0,38	0,50	10	15	20
Y	-	-	0,10	-	-	4
ϕ	0°	-	8°	0°	-	8°
ϕ1	0°	-	-	0°	-	-

#### NOTE :

- REFER TO JEDEC STD: MS-012 AA.
- DIMENSION "D" DOES NOT INCLUDE MOLD FLASH, PROTRUSION OR GATE BURRS. MOLD FLASH, PROTRUSION AND GATE BURRS SHALL NOT EXCEED 0,15mm PER SIDE. DIMENSION "E1" DOES NOT INCLUDE INTERLEAD MOLD FLASH OR PROTRUSION. INTERLEAD MOLD FLASH OR PROTRUSION SHALL NOT EXCEED 0,25mm PER SIDE. "D" AND "E1" DIMENSIONS ARE DETERMINED AT DATUM H.
- DIMENSION "b" DOES NOT INCLUDE DAMBAR PROTRUSION. ALLOWABLE DAMBAR PROTRUSION SHALL BE 0,10mm TOTAL IN EXCESS OF THE "b" DIMENSION AT MAXIMUM MATERIAL CONDITION. THE DAMBAR CANNOT BE LOCATED ON THE LOWER RADIUS OF THE FOOT.

## 4.2 USON-8L 3x2mm, package code ZR



**NOTE:**

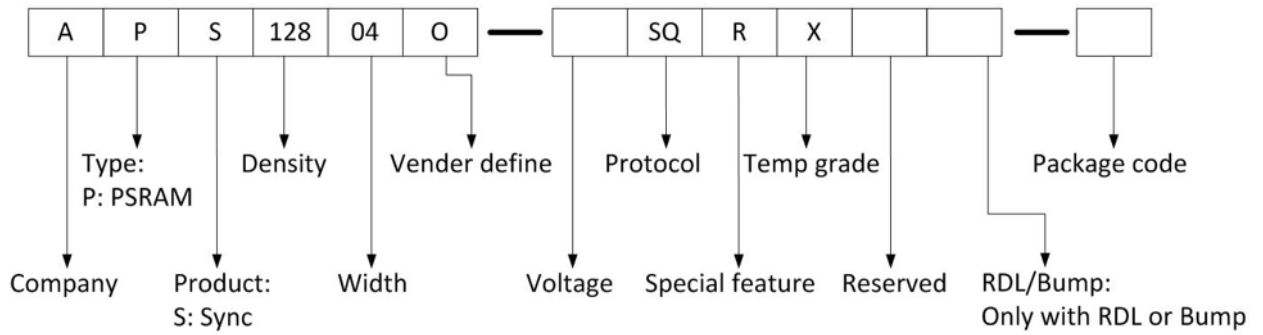
- Scale 1:4
- ALL DIMENSIONS AND TOLERANCES TAKE REFERENCE TO JEDEC MO-229
- DIMENSION "b" APPLIES TO METALLIZED TERMINAL AND IS MEASURED BETWEEN 0.15MM AND 0.30MM FROM THE TERMINAL TIP. IF THE TERMINAL HAS OPTIONAL RADIUS ON THE OTHER END OF THE TERMINAL, THE DIMENSION B SHOULD NOT BE MEASURED IN THAT RADIUS AREA.

## 5 Ordering Information

Table 1: Ordering Information

Part Number	Temperature Range	Max	Note
APS6404L-SQN	Tj = -40°C to +85°C	144 MHz	Bare die, SIP
APS6404L-SQNX	Tj = -40°C to +105°C	144 MHz	Bare die, SIP
APS6404L-SQN-ZR	Tc = -40°C to +85°C	144 MHz	USON-8
APS6404L-SQN-SN	Tc = -40°C to +85°C	144 MHz	SOP-8
APS6404L-SQNX-SN	Tc = -40°C to +105°C	144 MHz	SOP-8

### IOT\_SQPI\_PN rule



## 6 Signal Table

All signals are listed in Table 2.

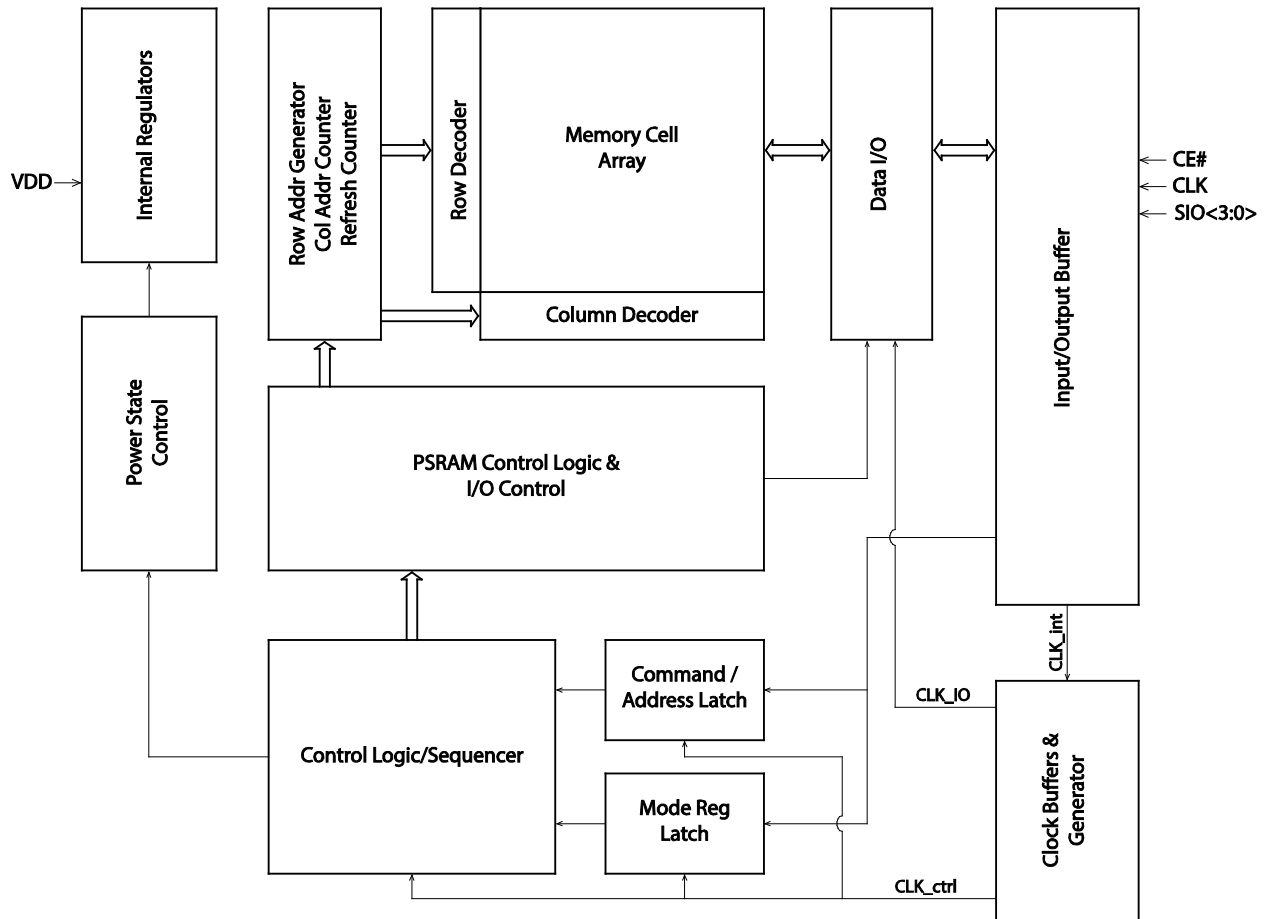
**Table 2: Signals Table**

<i>Symbol</i>	<i>Type</i>	<i>SPI Mode Function</i>		<i>QPI Mode Function</i>	<i>Comments</i>
VDD	Power	Core supply 1.8V			
VSS	Ground	Core supply ground			
CE#	Input	Chip select, active low. When CE#=1, chip is in standby state			
CLK	Input	Clock Signal			
SI/SIO[0]	IO	Serial Input	IO[0]*	IO[0]	
SO/SIO[1]	IO	Serial Output	IO[1]*	IO[1]	
SIO[2]	IO	--	IO[2]*	IO[2]	
SIO[3]	IO	--	IO[3]*	IO[3]	

Note \*: SPI Quad mode



## 7 Block Diagram



## 8 Power-Up Initialization

SPI/QPI products include an on-chip voltage sensor used to start the self-initialization process. When VDD reaches a stable level at or above minimum VDD, the device will require 150µs and user-issued RESET Operation (see section 14) to complete its self-initialization process. From the beginning of power ramp to the end of the 150µs period, CLK should remain LOW, CE# should remain HIGH (track VDD within 200mV) and SI/SO/SIO[3:0] should remain LOW.

After the Device Reset  $t_{RST} \geq 50ns$  period the device is ready for normal operation.

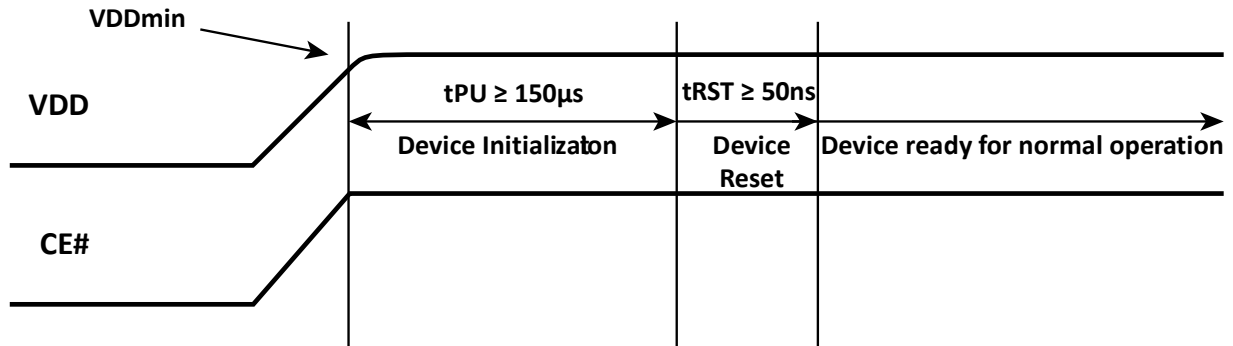


Figure 1. Power-Up Initialization Timing

## 9 Interface Description

### 9.1 Address Space

SPI/QPI PSRAM device is byte-addressable. 64M device is addressed with A[22:0].

### 9.2 Page Size

Page size is 1K (CA[9:0]). The device operates in a bursting address sequence back to starting address of same page in a wrap manner.

### 9.3 Drive Strength

The device powers up in 50Ω.

### 9.4 Power-on Status

The device powers up in SPI Mode. It is required to have CE# high before beginning any operations.

### 9.5 Command/Address Latching Truth Table

The device recognizes the following commands specified by the various input methods.

Command	Code	SPI Mode (QE=0)					QPI Mode (QE=1)				
		Cmd	Addr	Wait Cycle	DIO	Max Freq.	Cmd	Addr	Wait Cycle	DIO	Max Freq.
Read	'h03	S	S	0	S	33	N/A				
Fast Read	'h0B	S	S	8	S	144	Q	Q	4	Q	66
Fast Read Quad	'hEB	S	Q	6	Q	144	Q	Q	6	Q	144
Write	'h02	S	S	0	S	144	Q	Q	0	Q	144
Quad Write	'h38	S	Q	0	Q	144	same as 'h02				
Enter Quad Mode	'h35	S	-	-	-	144	N/A				
Exit Quad Mode	'hF5	N/A					Q	-	-	-	144
Reset Enable	'h66	S	-	-	-	144	Q	-	-	-	144
Reset	'h99	S	-	-	-	144	Q	-	-	-	144
Wrap Boundary Toggle	'hC0	S	-	-	-	144	Q	-	-	-	144
Read ID	'h9F	S	S	0	S	33	N/A				
Remark: S = Serial IO, Q = Quad IO											

## 9.6 Command Termination

All Reads & Writes must be completed by raising CE# high immediately afterwards in order to terminate the active command and set the device into standby. Not doing so will block internal refresh operations and cause memory failure.

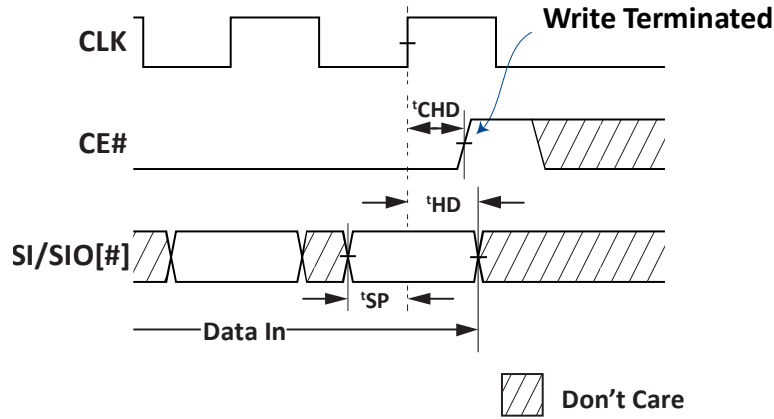


Figure 2: Write Command Termination

For a memory controller to correctly latch the last piece of data prior to read termination, it is recommended to provide a longer CE# hold time ( $t_{CHD} > t_{ACLK} + t_{CLK}$ ) for a sufficient data window.

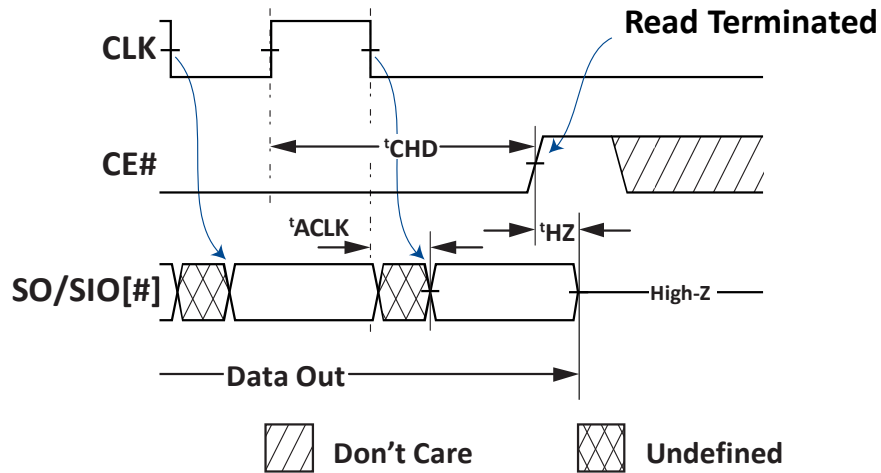


Figure 3: Read Command Termination

## 10 Wrap Boundary Toggle Operation

The Wrap Boundary Toggle Operation switches the device's wrapped boundary between 1K Bytes Wrapped Burst or 32 Bytes Wrapped Burst. Note that the default setting is 1K Bytes Wrapped.

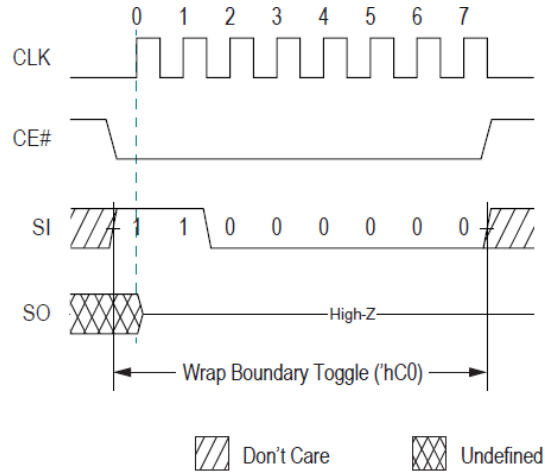


Figure 4: SPI Wrap Boundary Toggle 'hC0

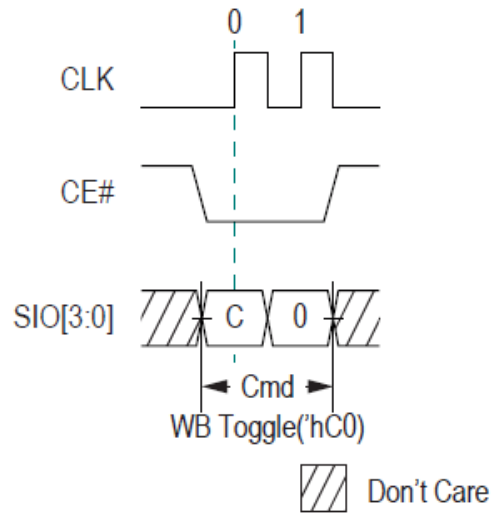


Figure 5: QPI Wrap Boundary Toggle 'hC0

## 11 SPI Mode Operations

The device powers up into SPI mode by default but can also be switched into QPI mode.

### 11.1 SPI Read Operations

For all reads, data will be available  $t_{\text{ACLK}}$  after the falling edge of CLK.

SPI Reads can be done in three ways:

1. 'h03: Serial CMD, Serial Addr/IO, slow frequency.
2. 'h0B: Serial CMD, Serial Addr/IO, fast frequency.
3. 'hEB: Serial CMD, Quad Addr/IO, fast frequency.

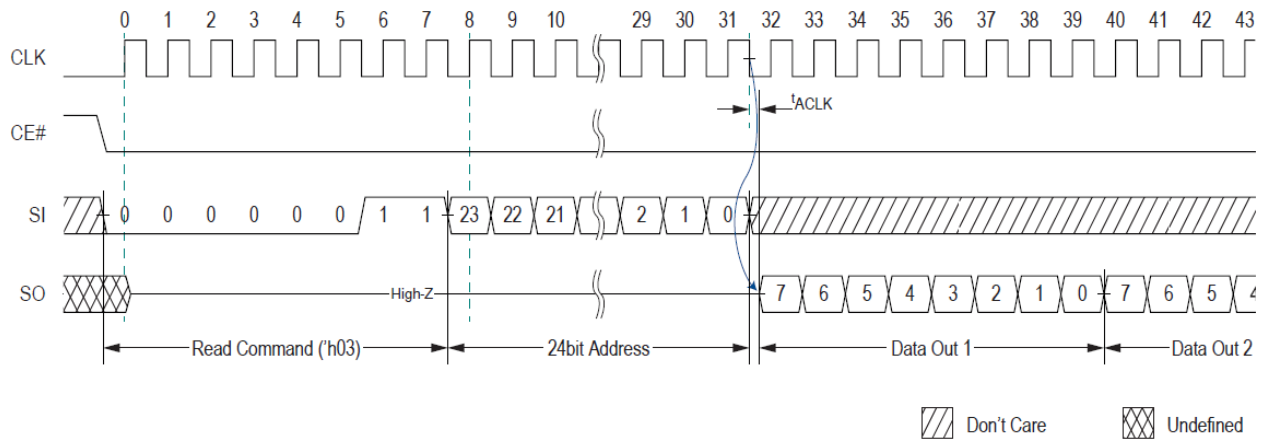


Figure 6: SPI Read 'h03 (max freq 33MHz)

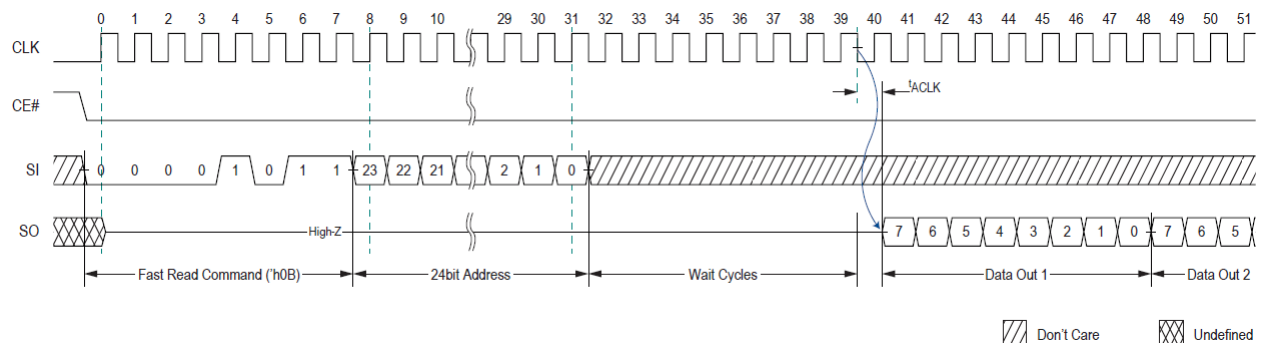


Figure 7: SPI Fast Read 'h0B (max freq 144 MHz)

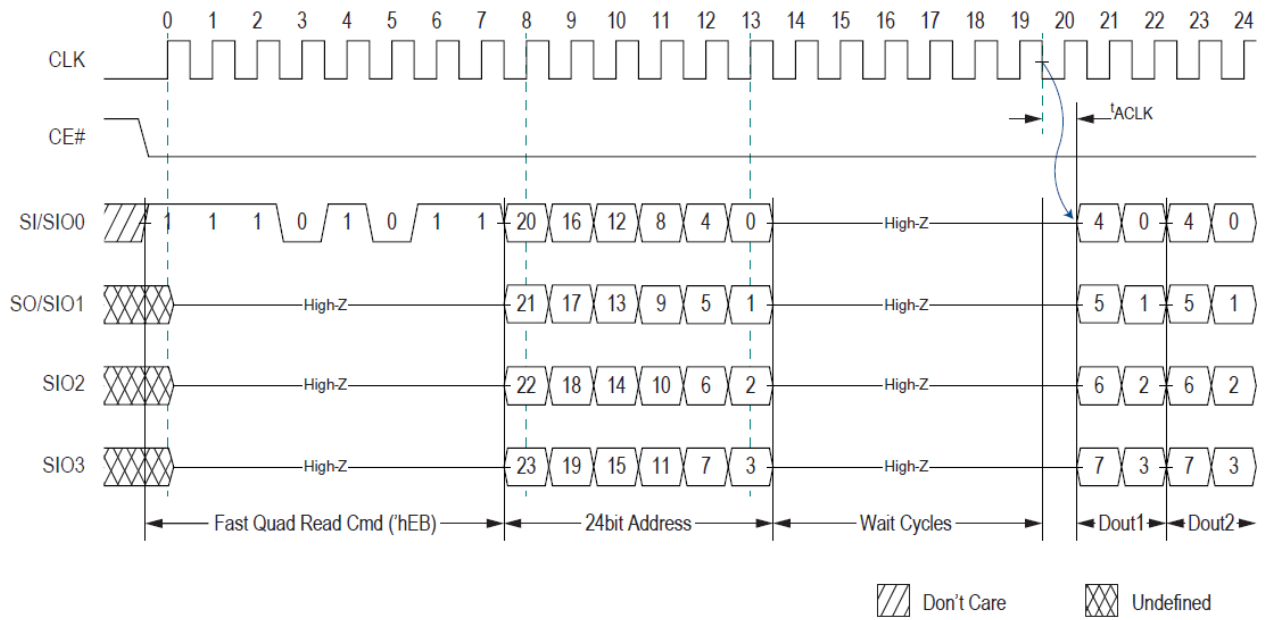


Figure 8: SPI Fast Quad Read 'hEB (max freq 144 MHz)

### 11.2 SPI Write Operations

SPI write command can be input as 'h02 or 'h38.

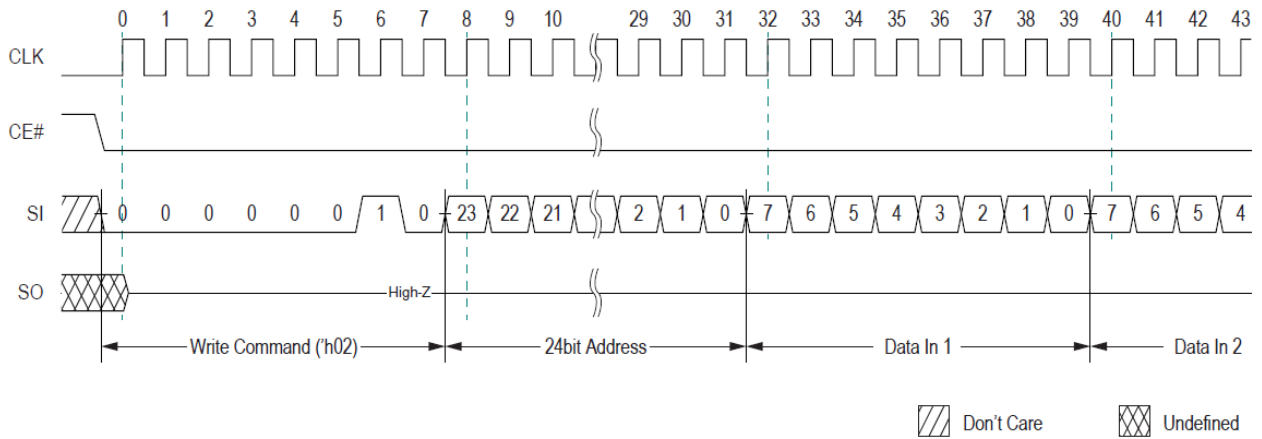


Figure 9: SPI Write 'h02

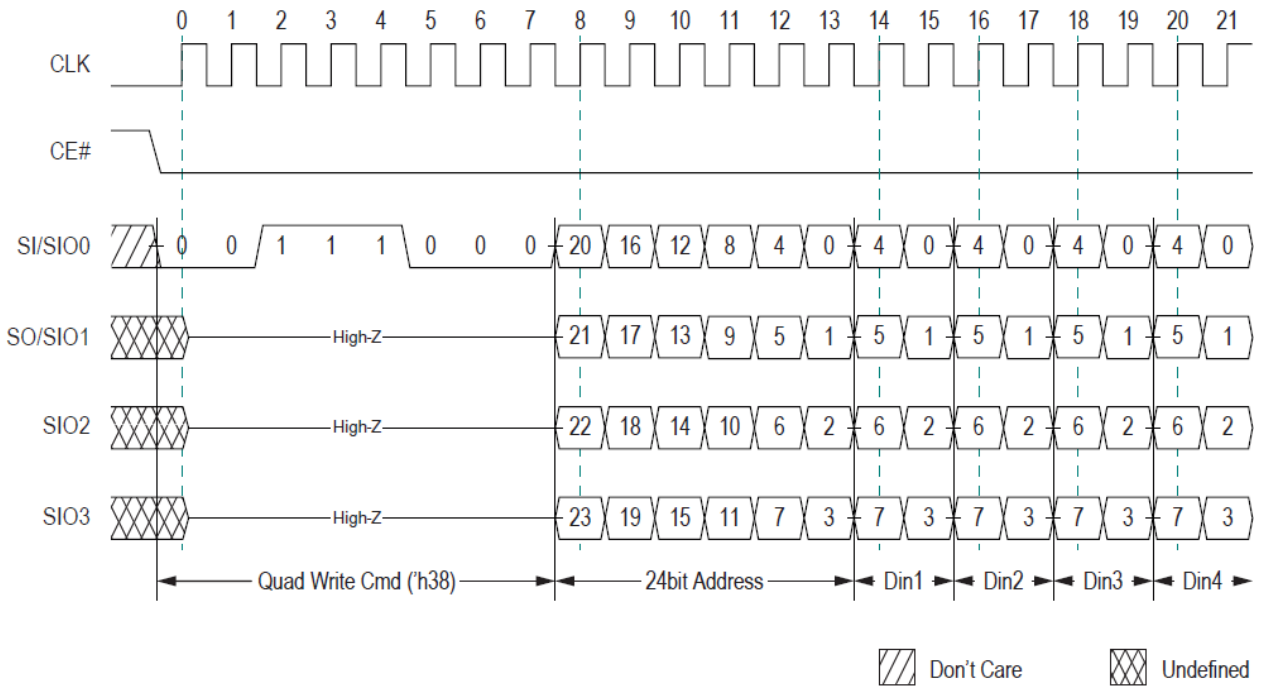
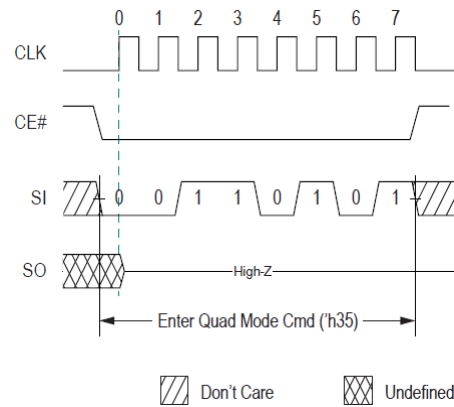


Figure 10: SPI Quad Write 'h38



### 11.3 SPI Quad Mode Enable Operation

This command switches the device into quad IO mode.



**Figure 11: Quad Mode Enable 'h35 (available only in SPI mode)**

## 12 Read ID

Read ID command provides information of vendor ID, known-good-die, device density, and manufacturing ID. Note that Read ID command can be used ONLY as Power up initialization after the device Reset  $t_{RST} \geq 50ns$  right after Global Reset command.

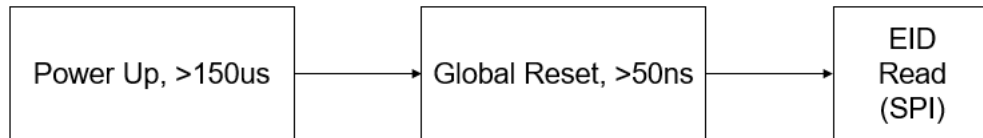


Figure 12: Pre-condition of EID Read

### 12.1 SPI Read ID Operation

This command is similar to Fast Read, but without the wait cycles and the device outputs EID value instead of data.

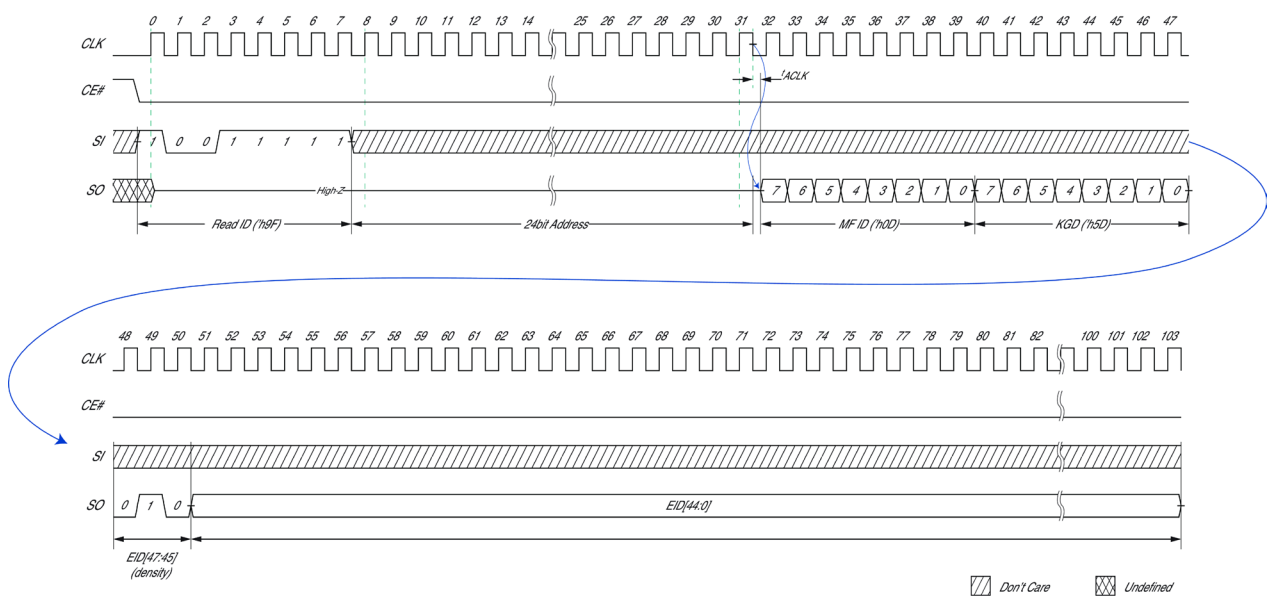


Figure 13: SPI Read ID 'h9F (available only in SPI mode)

Table 3: Known Good Die (KGD)

KGD[7:0]	Known Good Die
'b0101_0101	FAIL
'b0101_1101	PASS

\*Note: Default is FAIL die, and only mark PASS after all tests passed.

## 13 QPI Mode Operations

### 13.1 QPI Read Operation

For all reads, data will be available  $t_{\text{ACLK}}$  after the falling edge of CLK.

QPI Reads can be done in one of two ways:

1. 'h0B: Quad CMD, Quad Addr/IO, slow frequency
2. 'hEB: Quad CMD, Quad Addr/IO, fast frequency

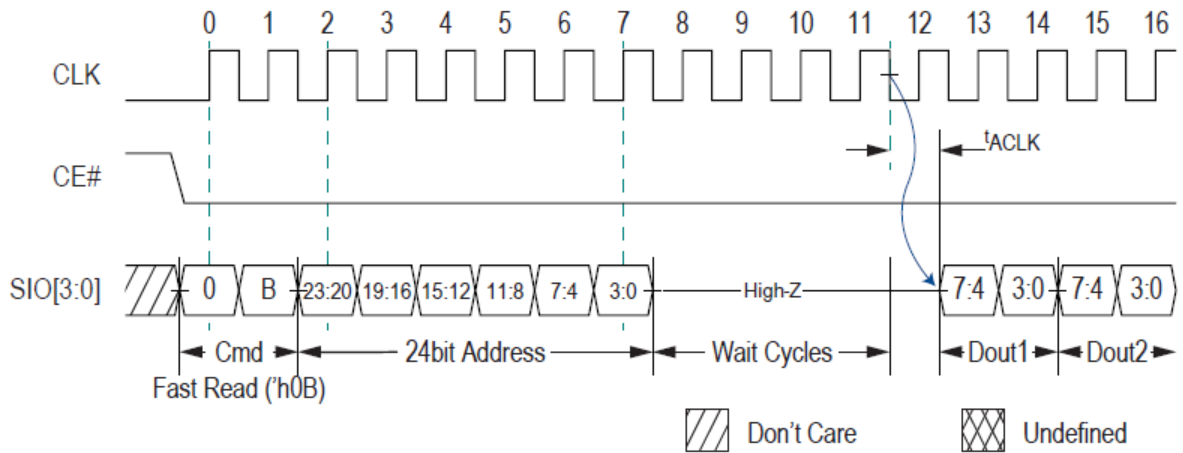


Figure 14: QPI Fast Read 'h0B (max freq 66 MHz)

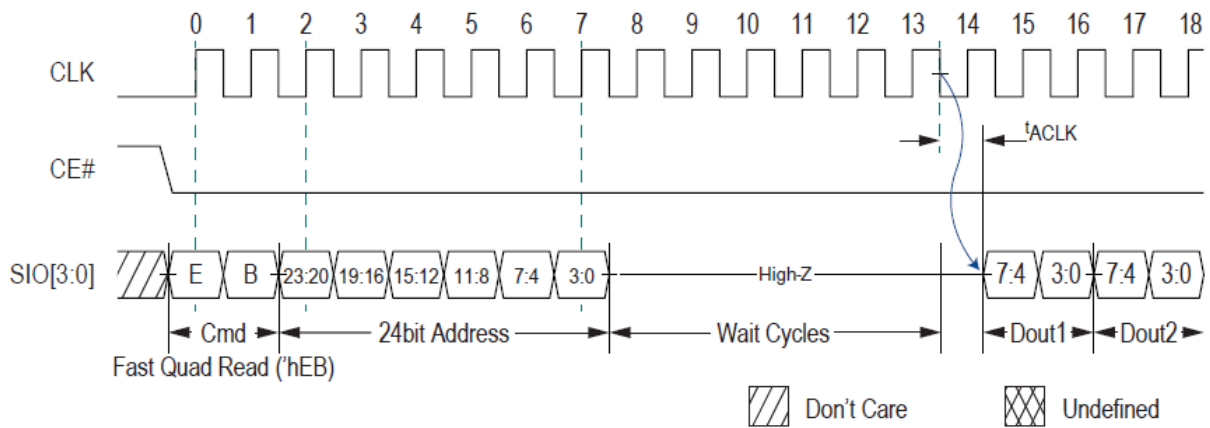


Figure 15: QPI Fast Quad Read 'hEB (max freq 144 MHz)

### 13.2 QPI Write Operation(s)

QPI write command can be input as 'h02 or 'h38.

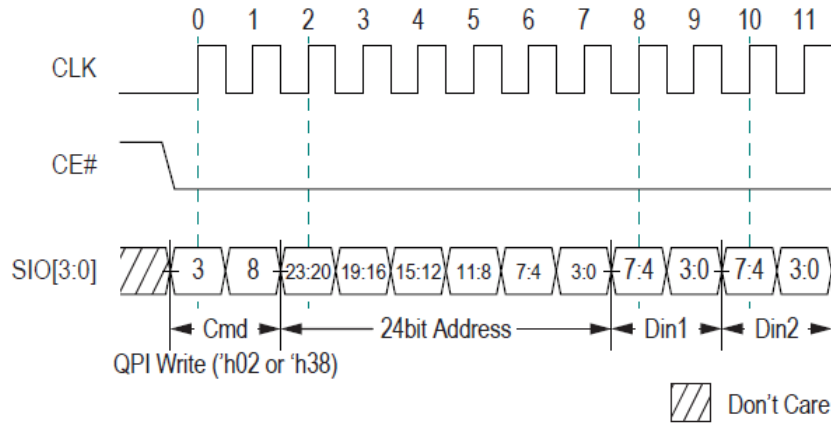


Figure 16: QPI Write 'h02 or 'h38

### 13.3 QPI Quad Mode Exit operation

This command will switch the device back into serial IO mode.

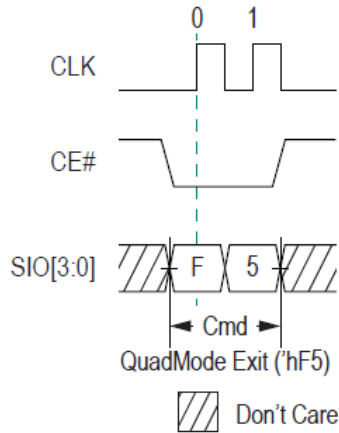


Figure 17: Quad Mode Exit 'hF5 (only available in QPI mode)

## 14 Reset Operation

The Reset operation is used as a system (software) reset that puts the device in SPI standby mode which is also the default mode after power-up. This operation consists of two commands: Reset-Enable (RSTEN) and Reset (RST).

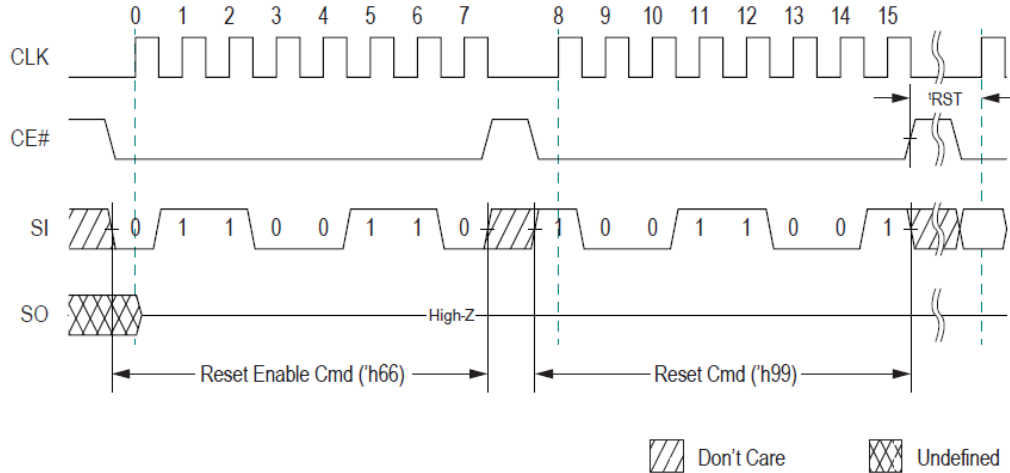


Figure 18: SPI Reset

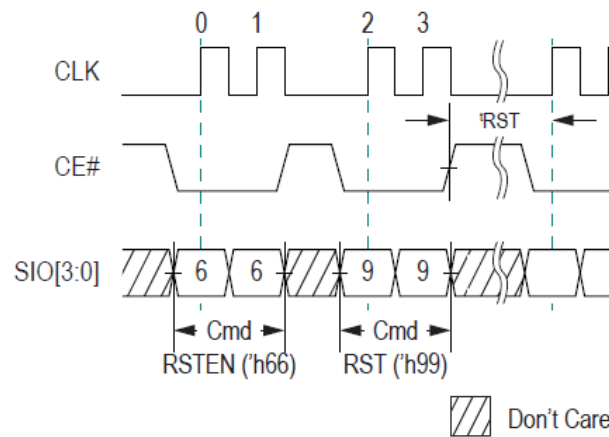


Figure 19: QPI Reset

Reset command has to immediately follow the Reset-Enable command in order for the reset operation to take effect. Any command other than the Reset command after the Reset-Enable command will cause the device to exit Reset-Enable state and abandon reset operation.

### 15 Input/Output Timing

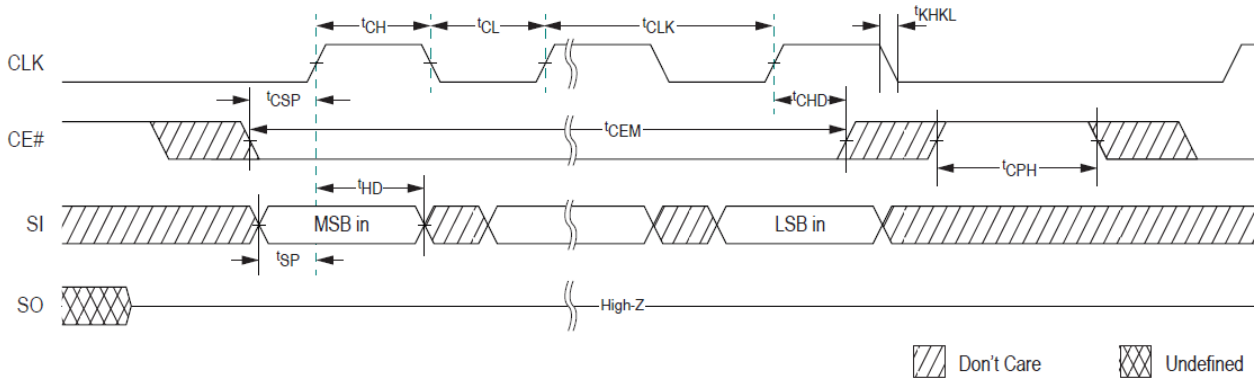


Figure 20: Input Timing

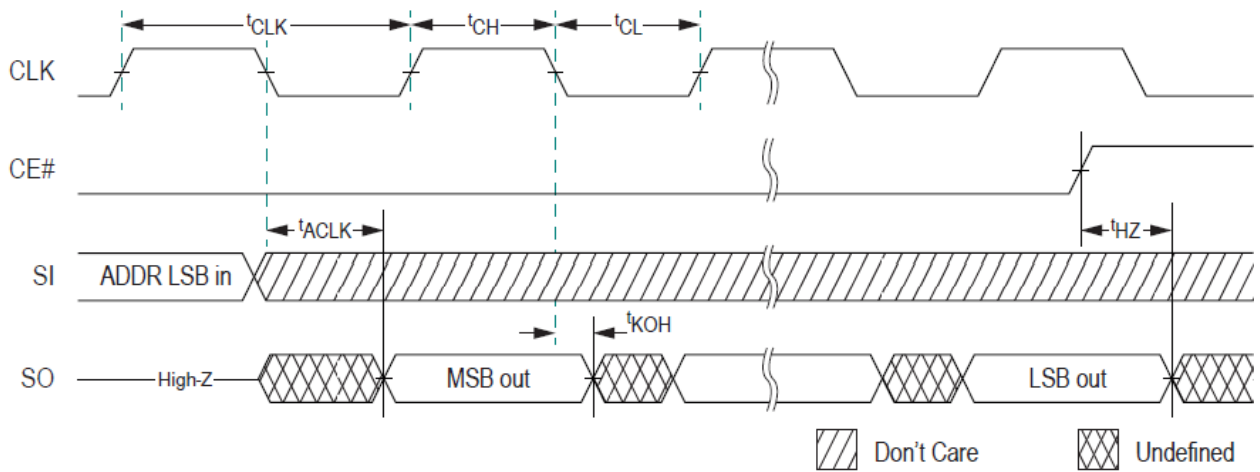


Figure 21: Output Timing

## 16 Electrical Specifications:

### 16.1 Absolute Maximum Ratings

Table 4: Absolute Maximum Ratings

Parameter	Symbol	Rating	Unit	Notes
Voltage to any ball except $V_{DD}$ relative to $V_{SS}$	$V_T$	-0.4 to $V_{DD}+0.4$	V	
Voltage on $V_{DD}$ supply relative to $V_{SS}$	$V_{DD}$	-0.4 to +2.45	V	
Storage Temperature	$T_{STG}$	-55 to +150	°C	1

Notes 1: Storage temperature refers to the case surface temperature on the center/top side of the PSRAM.

#### Caution:

Exposing the device to stress above those listed in Absolute Maximum Ratings could cause permanent damage. The device is not meant to be operated under conditions outside the limits described in the operational section of this specification. Exposure to Absolute Maximum Rating conditions for extended periods may affect device reliability.

### 16.2 Input Signal Overshoot

During DC conditions, input or I/O signals should remain equal to or between  $V_{SS}$  and  $V_{DD}$ . During voltage transitions, inputs or I/Os may negative overshoot  $V_{SS}$  to -1.0V or positive overshoot to  $V_{DD} +1.0V$ , for periods up to 20 ns.

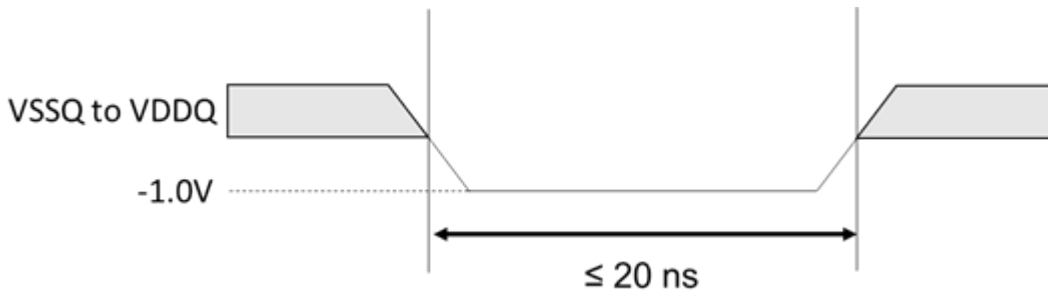


Figure 12 Maximum Negative Overshoot Waveform

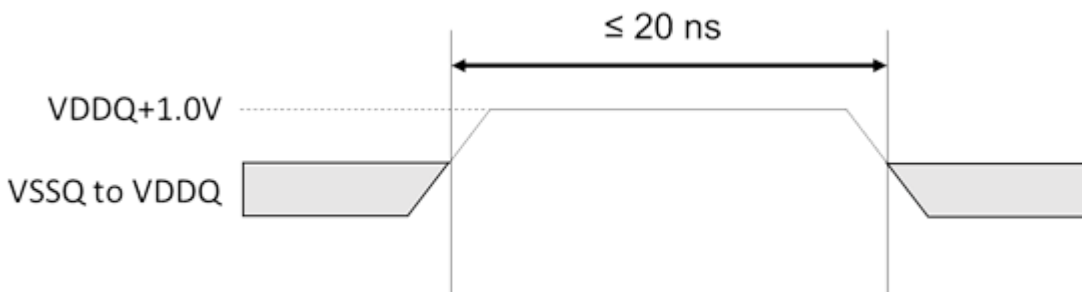


Figure 13 Maximum Positive Overshoot Waveform

### 16.3 Pin Capacitance

**Table 5: Package Pin Capacitance**

<i>Parameter</i>	<i>Symbol</i>	<i>Min</i>	<i>Max</i>	<i>Unit</i>	<i>Notes</i>
Input Pin Capacitance	CIN		6	pF	VIN=0V
Output Pin Capacitance	COUT		8	pF	VOUT=0V

Note: spec'd at 25°C.

**Table 6: Bare Die Pin Capacitance**

<i>Parameter</i>	<i>Symbol</i>	<i>Min</i>	<i>Max</i>	<i>Unit</i>	<i>Notes</i>
Input Pin Capacitance	CIN		2	pF	VIN=0V
Output Pin Capacitance	COUT		3	pF	VOUT=0V

Note: spec'd at 25°C.

**Table 7: Load Capacitance**

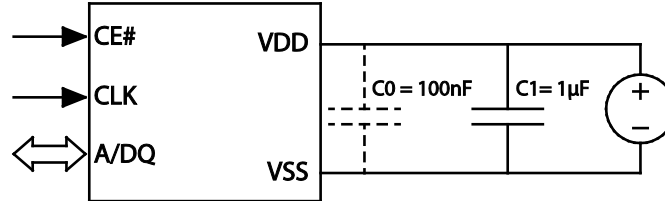
<i>Parameter</i>	<i>Symbol</i>	<i>Min</i>	<i>Max</i>	<i>Unit</i>	<i>Notes</i>
Load Capacitance	CL		15	pF	

Note: System CL for the use of package



### 16.4 Decoupling Capacitor Requirement

It is required to have a decoupling capacitor on VDD pin for IO switchings and psram internal transient events. A low ESR 1 $\mu$ F ceramic cap is recommended. To minimize parasitic inductance, place the cap as close to VDD pin as possible. An optional 0.1 $\mu$ F can further improve high frequency transient response.



### 16.5 Operating Conditions

Table 8: Operating Characteristics

Parameter	Min	Max	Unit	Notes
Operating Temperature (extended)	-40	105	°C	
Operating Temperature (standard)	-40	85	°C	

## 16.6 DC Characteristics

**Table 9: DC Characteristics**

<i>Symbol</i>	<i>Parameter</i>	<i>Min</i>	<i>Max</i>	<i>Unit</i>	<i>Notes</i>
V <sub>DD</sub>	Supply Voltage	1.62	1.98	V	
V <sub>IH</sub>	Input high voltage	V <sub>DD</sub> -0.4	V <sub>DD</sub> +0.2	V	
V <sub>IL</sub>	Input low voltage	-0.2	0.4	V	
V <sub>OH</sub>	Output high voltage (I <sub>OH</sub> =-0.2mA)	0.8 V <sub>DD</sub>		V	
V <sub>OL</sub>	Output low voltage (I <sub>OL</sub> =+0.2mA)		0.2 V <sub>DD</sub>	V	
I <sub>LI</sub>	Input leakage current		1	μA	
I <sub>LO</sub>	Output leakage current		1	μA	
I <sub>CC</sub>	Read/Write		7	mA	1,2
ISB <sub>EXT</sub>	Standby current (105C)		300	μA	3
ISB <sub>STD</sub>	Standby current (85C)		200	μA	3

- Note
- 1: Output load current not included.
  - 2: 50% bus toggling rate.
  - 3: Standby current is measured when CLK is in DC low state.
  - 4: Typical ISB<sub>STDROOM</sub> is 66uA.

## 16.7 AC Characteristics

Table 10: READ/WRITE Timing

Symbol	Parameter	Min	Max	Unit	Notes
t <sub>CLK</sub>	CLK period - SPI Read ('h03)	30.3		ns	33MHz
	CLK period - QPI Read ('h0B)	15.1			66MHz
	CLK period - all other operations	7			144MHz <sup>*1,2,3</sup>
t <sub>CH</sub> /t <sub>CL</sub>	Clock high/low width	0.45	0.55	t <sub>CLK</sub> (min)	
t <sub>KHKL</sub>	CLK rise or fall time		1.5	ns	4
t <sub>CPH</sub>	CE# HIGH between subsequent burst operations	18		ns	
t <sub>CEM</sub>	CE# low pulse width		3	μs	Extended grade
			8		Standard grade
t <sub>CSP</sub>	CE# setup time to CLK rising edge PKG	2.5		ns	
t <sub>CHD</sub>	CE# hold time from CLK rising edge PKG	3.0		ns	2
t <sub>SP</sub>	Setup time to active CLK edge	2		ns	
t <sub>HD</sub>	Hold time from active CLK edge	2		ns	
t <sub>HZ</sub>	Chip disable to DQ output high-Z		5.5	ns	
t <sub>ACLK</sub>	CLK to output delay	2	5.5	ns	
t <sub>KOH</sub>	Data hold time from clock falling edge	1.5		ns	
t <sub>RST</sub>	Time between end of RST CMD to next valid CMD	50		ns	

- Note
- 1: Frequency limit of wrapped type bursts are therefore 144MHz max
  - 2: System max C<sub>L</sub> 15pF for the use of package.
  - 3: For operating frequencies >84MHz, it is highly recommended to utilize CLK falling edge to sample read data or align sampling clock via data pattern tuning (refer to JEDEC JESD84-B50 for an example).
  - 4: Measured from 20% to 80% of VDD

## 17 Change Log

Version	Who	Date	Description
0.1		Dec 23, 2016	Initial Version
1.0		Mar 01, 2017	updated max frequency & standby current #
2.0		May 19, 2017	Reworded linear burst, renamed page toggle cmds; updated timing parameters for 144MHz; removed QPI Read 'h0B support; clarified termination section; added pin cap tables
2.1		Jul 10, 2017	Updated tCPH to 18ns
2.2		Jul 25, 2017	Updated tHZ, tACLK, package code and ordering information
2.3		Aug 24, 2017	Corrected package code; Added system max C <sub>L</sub> for the use of package & related tCK and tCHD
2.5		Oct 30, 2017	Enabled QPI Read 'h0B support; changed Min/Max absolute voltage, Vil_min and Vih_max,; defined tCEM for different temperature grade; corrected speed typo. Added ISBstdroom & USON package ZR, ISBstd@25C
2.6		Nov 13, 2017	Modified spec of ICC, ISB
2.7		Feb 1, 2018	Added Half Sleep support
2.8		Mar 8, 2018	changed tCLK requirement for Half Sleep command, added tCHD_hs spec w/o RBX
2.9		Mar 29, 2018	RBX not supported, temperature grade -40C
3.0		June 14, 2018	Revised part # for RBX. Temperature -40C, added WLCSP code "RA"
3.1		Aug 20, 2018	Revised WLCSP code "RA", max frequency for Read ID command, removed WSON
3.2		Nov 29, 2018	Revised POD of USON, code "ZR"
3.21		Mar 11, 2019	Removed 133MHz, modified ordering information and C Load
3.22		Mar 25, 2019	Removed HS mode from v3.22HS
3.3		Sep 06, 2019	Updated Figure 10 and Table 9; added table for Change Log; updated section 9.5 and 16.6; added section 16.3
3.4a		Oct 02, 2019	Updated header and page 1; update Table 1 and Table 10

3.5		Oct 30, 2019	Revise the typo in page 1, 4, 14, 19, Table 9 and Table 10; updated Figure 18 and Figure 19; added section 10
3.6		Nov 21, 2019	Update Table 2, Figure 10 and Figure 16
3.7		Oct 12, 2021	Revised tCEM value from 4us to 3us @105C
3.8	Kim/ Gene/ Eric	Jun 17, 2022	Typos correct
3.9	Kim	Oct 28, 2022	Release USON temp. from -25~85 to -40~85
4.0	Kim	Jan 05, 2024	Add chapter 16.2 Input signal overshoot